

JAVES

Projector & Screen



TOY-550

LED Mini projector

User Manual



Javes Projector

Address: Room 207, 2/F., Block B, Seaview Estate, Watson Road, North Point, Hong Kong
Tel:(852)28875151 Email: jng@javesprojector.com Website: www.javesprojector.com

Preparations:

- Checking the package contents
- Name of each part on the main unit
- Name of the connection terminals
- Connection

● Checking the package contents

Please make sure that the following items are included in the box, along with the main unit . If an item is missing, please contact the store from which you purchased the products immediately.

(1)



(2)



(3)

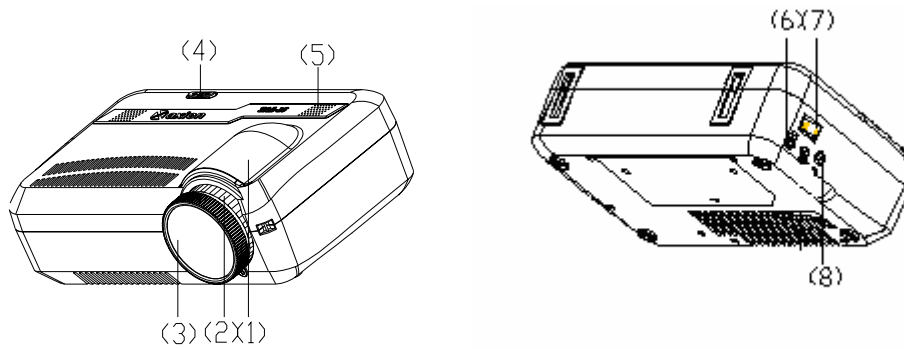


(4)



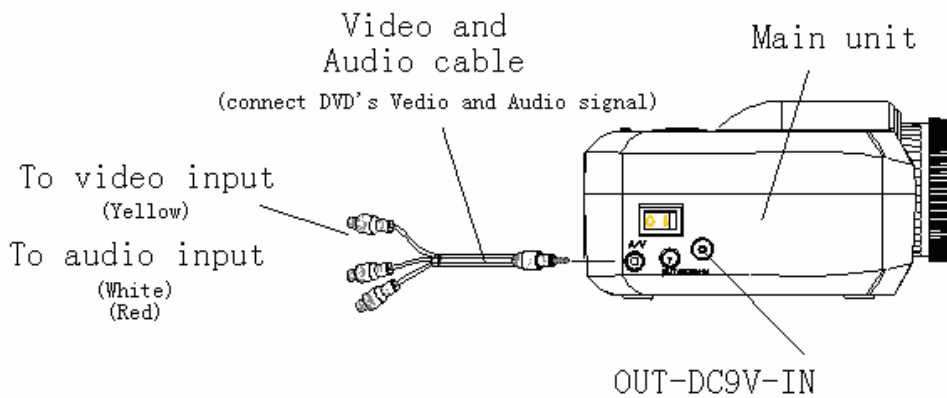
- (1) Main unit
- (2) Power adapter
- (3) Audio and Video cable(A/V)
- (4) Audio and Video cable(A/V)

● Name of each part of the main unit



- (1) Lens: projects the expanded image
- (2) Focusing ring: adjusts the screen focus
- (3) Lens cover speaker: plays video
- (4) Volume adjuster: “+”for increase the volume and “—”for decrease the volume
- (5) Speaker: plays audio
- (6) A/V in socket: connect the A/V cable
- (7) Main power switch : on/off
- (8) DC in socket: connect the power adapter

●Name of the connection terminals



●Connection

Before connection.

Turn off the main power switch of the devices before connection.

Read the owner’s manual carefully, be sure to connect the device to the projector is correct.

Operations:

●Turning the power on and off

●Basic operations

●Turning the power on and off

> Connecting the power adapter

Connect the power adapter into the OUT-DC9V-IN socket of the projector `

> Removing the lens cover

Be sure to remove the lens cover before the power is turned on.

> Turning the power on

Turn on the main power switch.

> Turning the power off

Turn off the main power switch .

Cover the lens cover.

Unplug the power adapter.

●Basic operations

> Projector placement angle adjustments

The placement angle and the height of the projected image can be adjusted by moving the main unit.

> Adjusting the picture focus and volume

Use the focusing ring to adjust the focus.

Adjusting the volume with the “+” “-”buttons.

Maintenance:

●Lens and main unit cleaning

> Lens cleaning

Clean the lens with a clean and soft cloth.

The lens is easily scratched, so don't rub it with hard objects or strike it.

> Main unit cleaning

Clean the main unit gently with a soft and clean cloth after unplugging the power adapter.

If the dirt is difficult to clean, you can use a clean cloth which is dipped in a neutral detergent and wipe off gently, the finish up by wiping with a dry cloth.

List of general specifications:

Item	Specification
Consumption Power	18W DC9V 2A
Weight	1.2KG
External Dimensions	180×110×55mm
Cabinet Material	Plastic and Aluminum alloy
Conditions for usage environment	Temp:0°C to 35°C; relative humidity:30% to70%
Native resolution	557H×234V
Lens	F=71mm, F=2.5
Lamp	Power LED
Image size	21 inches an the distance of 1 meter
Speaker	1W
VIDEO terminal	RCA Pin Jack, 1V (p-p), 75 Ω